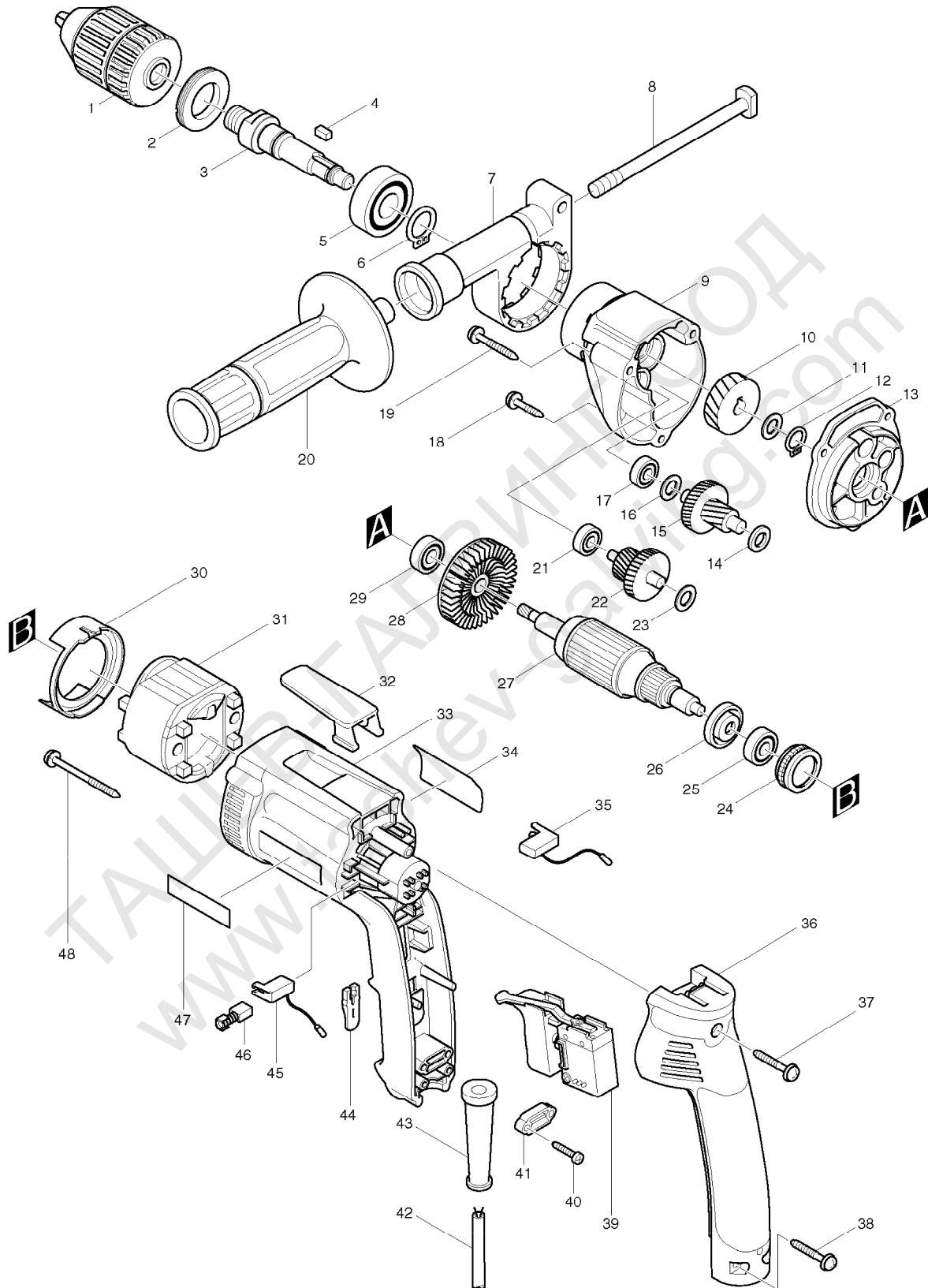


SERVICE DRAWING

MODEL NO. DP4003



SPARE PARTS LIST

MODEL NO. DP4003

ITEM	PART NO.	DESCRIPTION	QTY	NOTE
001	192956-2	KEYLESS DRILL CHUCK	1	
002	285807-7	BEARING RETAINER 22-36	1	
003	324039-2	SPINDLE	1	
004	254202-2	KEY 4	1	
005	211206-7	BALL BEARING 6202LLB	1	
006	961055-9	RETAINING RING S-15	1	
007	317401-8	GRIP BASE	1	
008	266265-6	BOLT M8x195	1	
009	317397-3	GEAR HOUSING	1	
010	226529-0	Helical Gear 26	1	
011	267143-3	FLAT WASHER 11	1	
012	961051-7	RETAINING RING S-11	1	
013	152639-6	GEAR HOUSING COVER Complete	1	
014	253804-1	FLAT WASHER 6	1	
015	226138-5	GEAR COMPLETE 7-36	1	
016	253133-2	FLAT WASHER 7	1	
017	211021-9	BALL BEARING 607LLB	1	
018	266050-7	TAPPING SCREW 4x30	1	
019	266069-6	TAPPING SCREW 4x45	2	
020	152668-9	GRIP 36 COMPLETE	1	
021	211012-0	BALL BEARING 606ZZ BHR241	1	
022	226139-3	GEAR COMPLETE 16-34	1	
023	253804-1	FLAT WASHER 6	1	
024	421479-6	RUBBER RING 19	1	
025	211021-9	BALL BEARING 607LLB	1	
026	681636-0	INSULATION WASHER	1	
027	517358-5	ARMATURE ASS'Y 220-240V INC. 25,26,28,29	1	
028	241873-4	FAN 55	1	
029	211031-6	BALL BEARING 608LLB	1	
030	417356-8	BAFFLE PLATE	1	
031	633468-1	FIELD 220-240V	1	
032	*****	*****	***	*****
033	183270-7	MOTOR HOUSING SET INC. 47	1	
034	852495-1	Name Plate DP4003	1	
035	643951-0	BRUSH HOLDER	1	
036	152641-9	HANDLE COVER COMPLETE	1	
037	265999-8	TAPPING SCREW 4x25	1	
038	265999-8	TAPPING SCREW 4x25	2	
039	*****	*****	***	*****
040	265995-6	TAPPING SCREW 4x18	2	
041	687063-9	STRAIN RELIEF	1	
042	666066-6	POWER SUPPLY CORD 1.0-2-2.5	1	
043	682559-5	CORD GUARD 8	1	
044	417358-4	SLIDE LEVER	1	
045	643948-9	BRUSH HOLDER	1	
046	191962-4	CARBON BRUSH CB-419	1	
047	819063-3	MAKITA LABEL	1	
048	266060-4	TAPPING SCREW 4x65	2	
049	442134-7	Gasket new	1	
B01	134910-0	GRIP 36 ASS'Y INC. 7,8,20	1	
E01	824595-7	PLASTIC CARRYING CASE	1	
E02	645200-1	NOISE SUPPRESSOR	1	
E03	646343-2	LINE COIL	1	